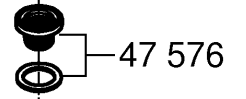
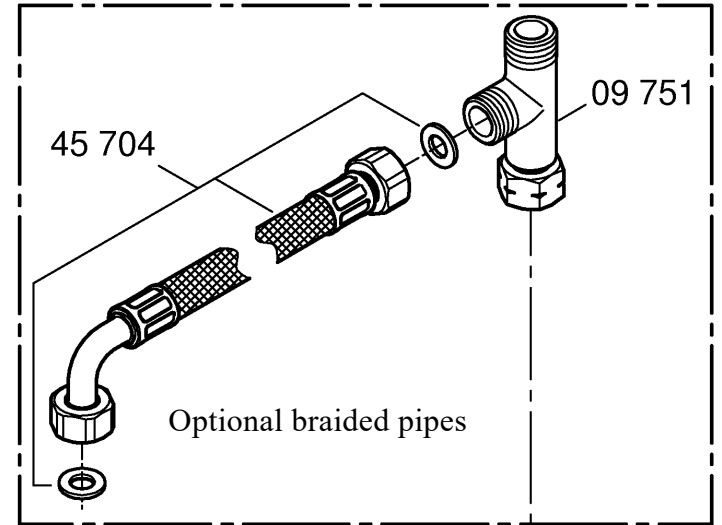
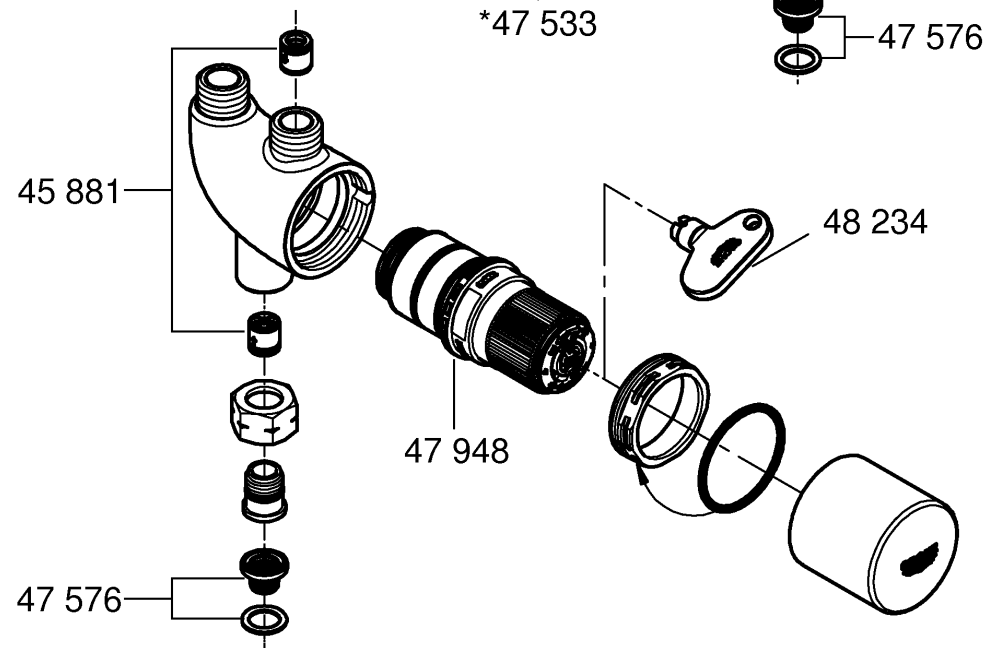


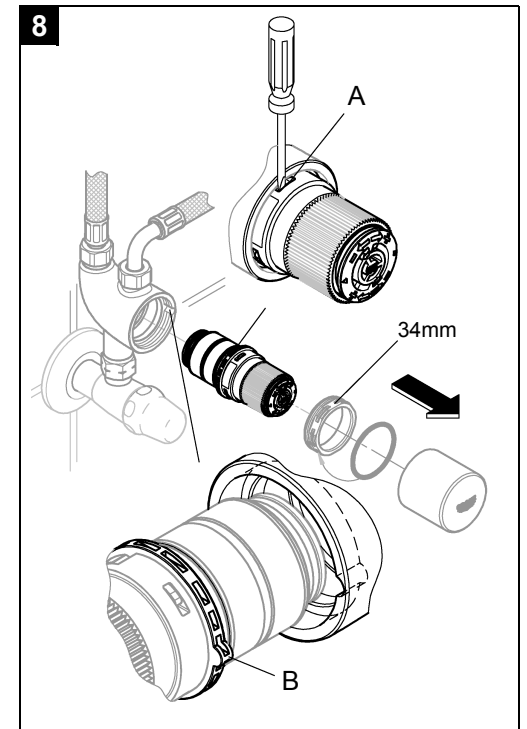
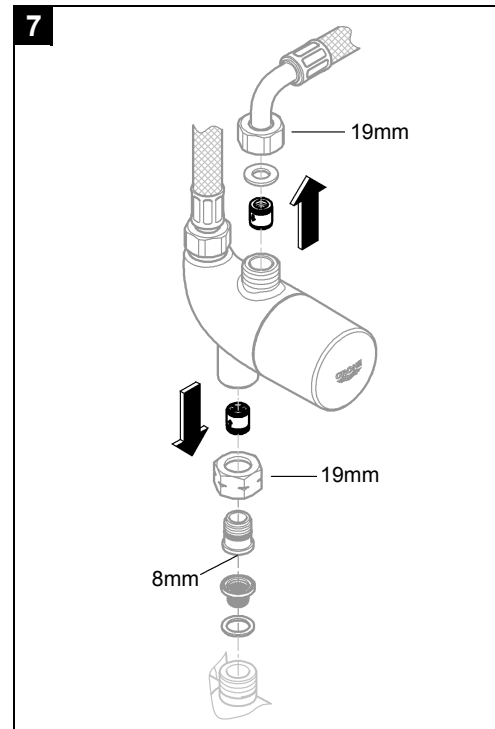
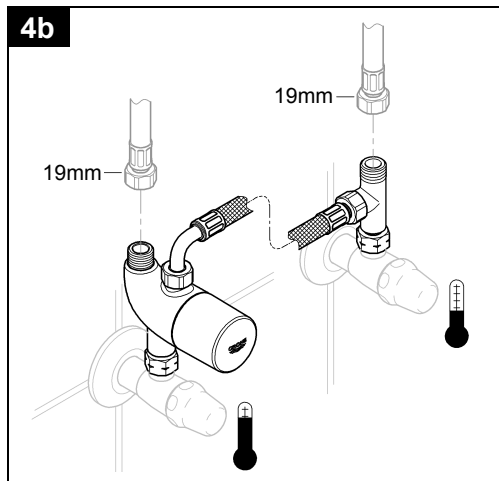
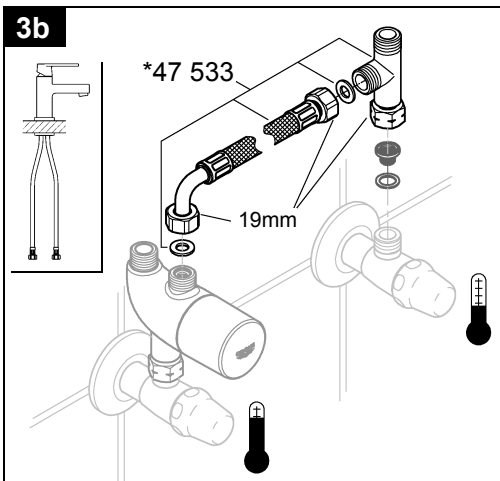
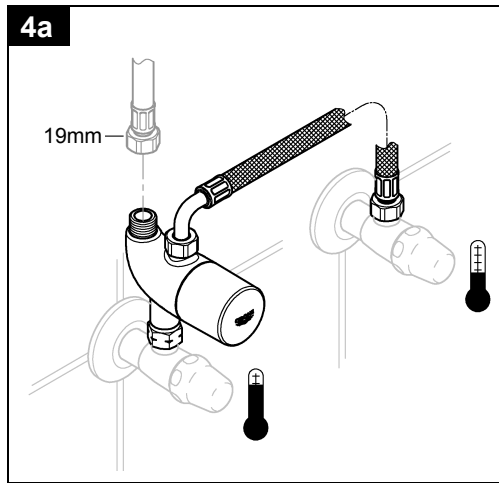
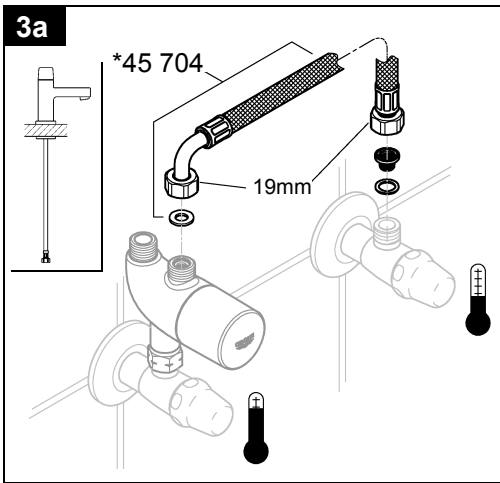
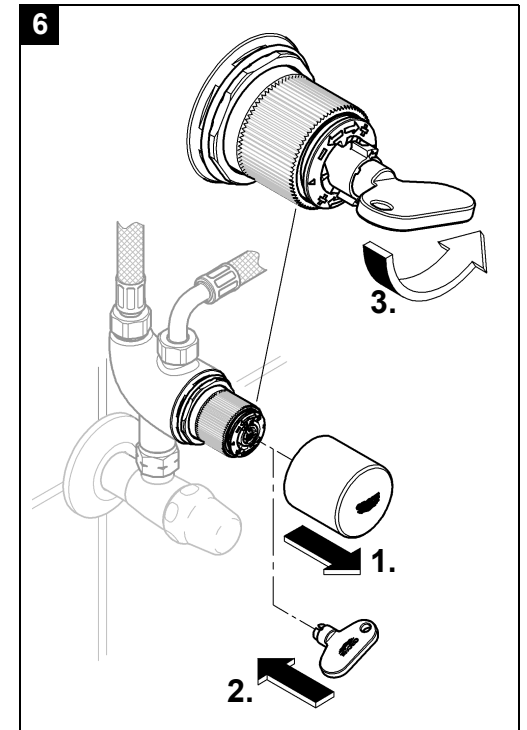
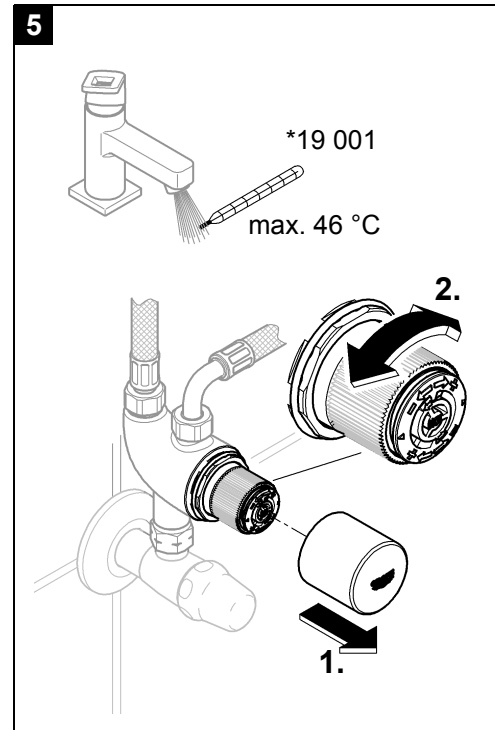
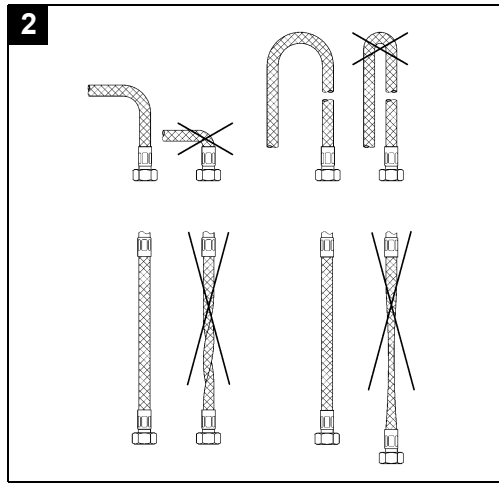
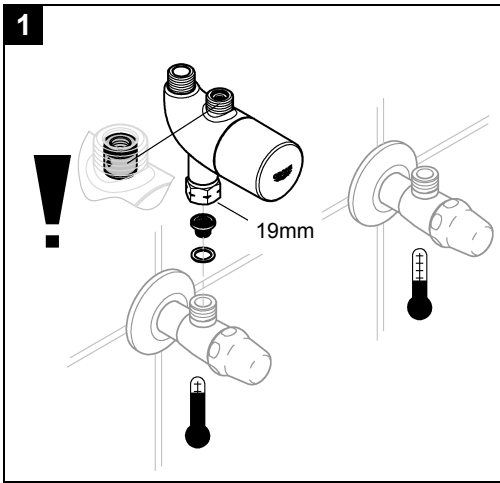
*45 120



*47 533



Bitte diese Anleitung an den Benutzer der Armatur weitergeben!
 Please pass these instructions on to the end user of the fitting!
 S.v.p remettre cette instruction à l'utilisateur de la robinetterie!





Safety notes



Caution: Risk of scalding

Before and during use make sure that the thermostat is functioning correctly. Children and adults with reduced sensory capabilities should not use the product unsupervised.

Application

Thermostat mixers are designed for hot water supply via pressurised storage heater and utilised in this way provide the best temperature accuracy. With sufficient power (from 18 kW or 250 kcal/min) electric or gas instantaneous heaters are also suitable.

Safe limitation of the max. outlet temperature via preset thermostats on every standard wash basin mixer (**thermal scalding protection**).

Thermostat mixers cannot be used in conjunction with low-pressure storage heaters (displacement water heaters).

All thermostats are adjusted in the plant at a flow pressure on both sides of 3 bar.

If temperature deviations should occur on account of special installation conditions, the thermostat must be adapted to local conditions (see Adjustment).

Specifications

- Minimum flow pressure with downstream resistances: 1 bar
- Max. operating pressure: 10 bar
- Recommended flow pressure: 1 - 5 bar
- Test pressure: 16 bar
- Flow rate at 3 bar flow pressure: approx. 20 l/min
- Max. water temperature at hot water inlet: 70 °C
- Thermal disinfection possible
- Pre-adjustment: 39 °C
- Max. mixed water temperature: 46 °C
- Minimum flow rate: = 5 l/min

Hot water temperature at supply connection at least 2 °C higher than mixed water temperature.

A pressure reducing valve must be fitted in the supply line if static pressures exceed 5 bar to satisfy noise level ratings.

Installation

Refer to the dimensional drawing on fold-out page I.

Flush pipes thoroughly before and after installation (observe EN 806)!

Screw thermostat on hot water service valve, see fold-out page II, Fig. [1].

It is recommended that for installation and to secure the non-return valve the connection set [ref. No. 47 533, see fold-out page I] or the hose [ref. No. 45 704] are used.

It is recommended that a flexible pressure hose is connected as installation aid for fittings with copper pipes [ref. No. 45 120, see fold-out page I].

Connection to pillar tap, see Figs. [2], [3a] and [4a].

Connection to mixer fitting, see Figs. [2], [3b] and [4b].

Open the hot and cold water supply and check that connections are watertight.

Adjustment

Before the mixer is put into service and after any maintenance operation on the thermostatic compact cartridge the thermostat must be adjusted.

For **pillar taps** the mixed water temperature is adjusted at the thermostatic compact cartridge.

For **mixer fittings** the max. hot water temperature is adjusted at the thermostatic compact cartridge.

Temperature setting, see fold-out page II, Fig. [5].

Prevention of frost damage

When the domestic water system is drained, thermostat mixers must be drained separately, since non-return valves are installed in the hot and cold water connections. For this purpose, the thermostat must be removed from the unions.

Thermal disinfection

With the supplied key a thermal disinfection can be carried out without changing the setted temperature. A subsequent adjustment is not necessary.

Thermal disinfection, see fold-out page II, Fig. [6].

- Start by turning the key to the left.

The flushing time during the thermal disinfection depends on the water temperature. National standards must be observed.

- Terminating by turning the key to the right until it stops.

Maintenance

Inspect and clean all components and replace if necessary.

Shut off cold and hot water supply.

I. Non-return valves, see fold-out page II, Fig. [7].

II. Thermostatic compact cartridge, see fold-out page II, Fig. [8].

- If necessary, lever out thermostatic compact cartridge via recess (A), see detail.

Assemble in reverse order.

Observe the correct installation position of the thermostatic compact cartridge

, see detail (B).

Readjustment is necessary after each maintenance operation on the thermostatic compact cartridge (see Adjustment).

Assemble in reverse order.

In order to ensure long-term protection from scalding, at least once a year must be checked that the pre-adjusted outlet temperature is not exceeded.

If the temperature has been exceeded, it must be readjusted (see Adjustment).

Spare parts, see fold-out page I (* = special accessories).

Care

For directions on the care of this mixer, please refer to the accompanying Care Instructions.