

African
Industrial
Commercial

+27 76 944 2717
sales@afindcom.com



LOTUS

LOTUS BASIN PRODUCT
CODE VL-702603

DESCRIPTION

Vaal Sanitaryware vitreous china 635 x 485mm rounded "Lotus" basin with three semi-punched tapholes (i.e. available in zero, one, two or three taphole configurations), integrated overflow, and chainstay hole through the centre semi-punched taphole. Available in white only.

SPECIFICATIONS

	Mass	Volume
Basin	16.75 kg	0.070 m ³
Classic full pedestal	9.25 kg	0.030 m ³
Universal half pedestal	4.00 kg	0.012 m ³

INSTALLATION

The basin may be installed by alternative methods:

1. Bolted to the wall using two 10 mm bolts (code VL-8448Z0).
2. Supported on a classic floor mounted pedestal (code VL-715000).
3. Using Universal half pedestal with two 6mm fixing screws. (code VL-715222).

Option 1

Place basin level against wall surface at correct height and mark fixing hole positions. Remove basin and drill holes. Attach bolts to wall, fit basin and secure. NOTE: Do not overtighten.

Option 2

When installed on Classic pedestal, place basin on pedestal in correct position. Secure basin to the wall, then use silicone sealant or equivalent under pedestal foot and between back of basin and finished wall surface.

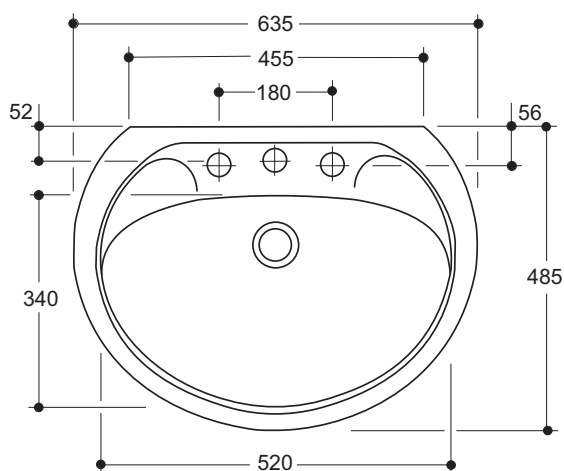
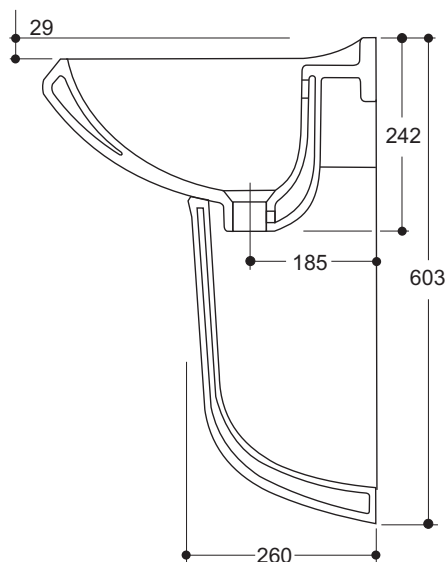
Option 3

Using half pedestal, install basin as per Option 1. Ensure wall contact area of the pedestal does not foul pipework. Place pedestal in position and mark fixing hole positions. Remove pedestal and drill holes. Place pedestal back in position, insert plugs and screws. Attach CP caps.

SPECIAL RECOMMENDATION

Always use silicone sealant or equivalent between basin and finished wall surface area for secure and neat installation.

Universal half pedestal
Pedestal code VL-715222



Classic full pedestal
Pedestal code VL-715000