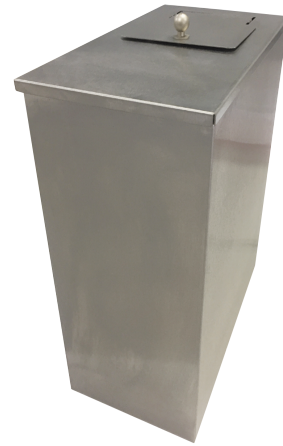




CL-00785



CL-00784-DE



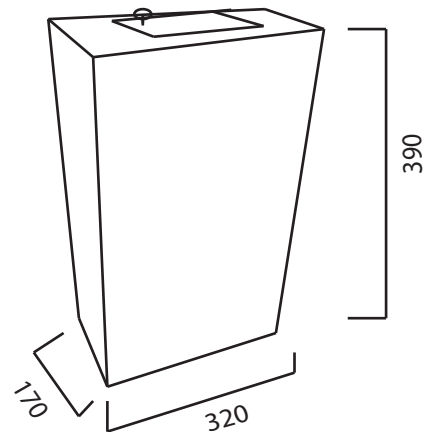
CL-00784

Classique 21L sanibin

SPECIFICATIONS

CL-00784 (SS)
CL-00784-DE (Black steel)
CL-00785 (White)

| | |
|----------------|--|
| ★ Product code | |
| ★ Dimensions | 390mm x 320mm x 170mm |
| ★ Finish | Stainless steel & Mild Steel powder coated |
| ★ Capacity | 21 Litres |



PRODUCT DESCRIPTION

Sanitary bins are an essential feature in any washroom or bathroom environment for hygienic disposal of non-flushable waste material. Our bins are an attractive addition that matches with the rest of the range of products.

FEATURES

- Robust, high impact resistant steel body
- Recess punches for even space mounting
- Plugs and mounting screws included
- Secure flat lid with a round knob and sight cover creating a sealed area to avoid odours and seeing unsightly waste

BENEFITS

- Steel folded to the back with proper welds
- Can be placed on either side of the wc
- Removable inner liner bar and lid for easy preparation of liner
- Quality grade steel provides durability



AFINDCOM
AFRICAN INDUSTRIAL COMMERCIAL