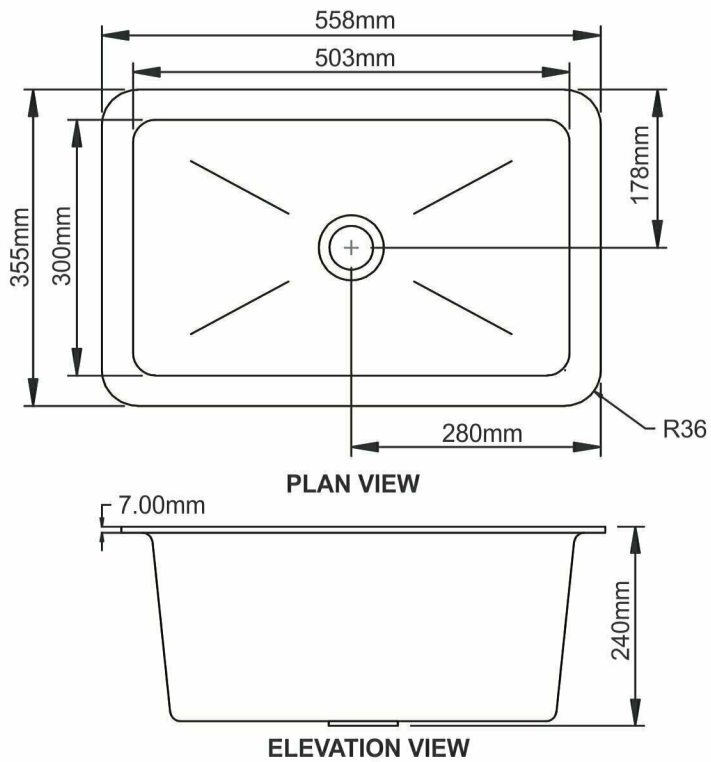


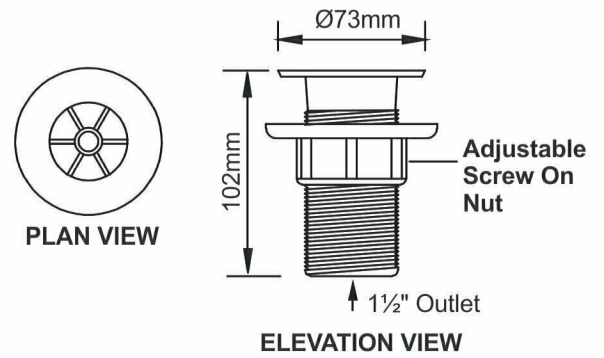
97B0560

Use with (97B0073) Sinkwaste



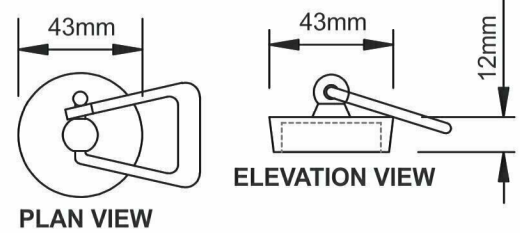
97B0073

Sinkwaste



97B0821

Plug



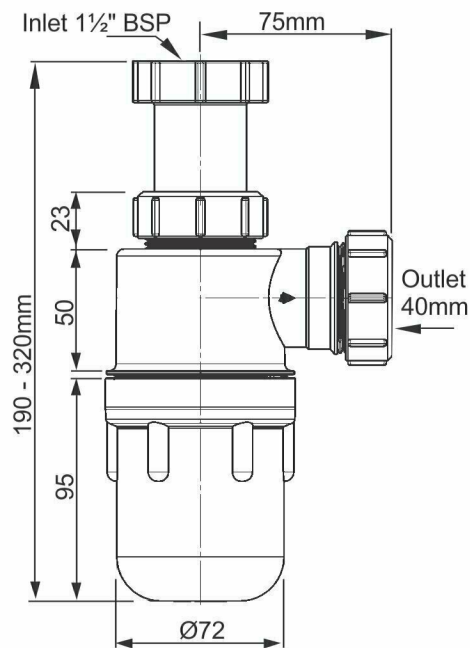
97B0040

Telescopic Bottle Trap

Area of Application:
Temperature 5°C - 80°C

Materials in media contact:
PPC

Inlet / outlet connection:
IN.: 1/2" BSP
Out.: M40



Elevation sketch
assembled

